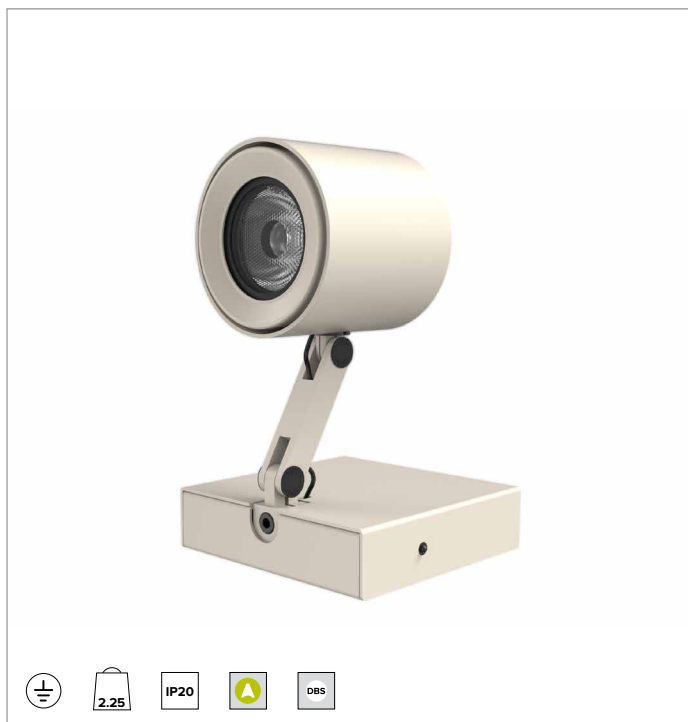
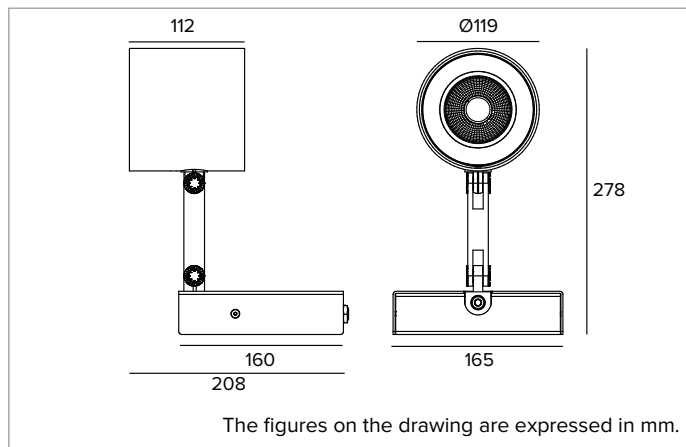


## T045DBS930FW | CORO 120

### Professional adjustable LED projector for wall or cornice installation with a variable light beam opening



The fixture's photometric values can be found on the following pages



#### SOURCE

High efficiency Chip on Board LED Ra90.

**Energy efficiency class:** D

**Nominal power:** 25W

**Nominal flux:** 3027lm

**Colour rendering index:** 90

**Rf:** 92

**Rg:** 101

**CCT nominal:** 3000K

**Lifetime (L80/B10):** >50000h tq +25°C

#### ILLUMINOTECHNICAL CHARACTERISTICS

DBS version: hybrid optical system composed of a specular anodised aluminium reflector, optical glass lens, lens holder in black PPS, Lens Vector lens (liquid crystal glass lenses that are electronically controlled to regulate the light diffusion and the beam opening from SP to WFL).

**Optic:** DBS

**Beam angles:** SP-WFL

**Optical efficiency:** See photometries

**Fixture flux:** See photometries

**Luminous efficacy:** See photometries

**Photobiological safety:** Compliant with RG1 low risk group

#### MECHANICAL CHARACTERISTICS

Die-cast aluminium housing. Powder coated aluminium front ring and joints. Passive heat sink cooling system. Optical unit adjustability: +/-165° on the horizontal plane and 180° on the vertical plane with the possibility of mechanical aiming locking through single knob for both aiming locks. Pre-set for additional accessories. Articulated arm adjustable of 180° on the vertical plane. Graduated references at the articulated joints.

**Colour and finish:** Florentine white

**Weight:** 2.25Kg

**Version:** LONG ARM

**Degree of protection:** IP20

#### ELECTRICAL CHARACTERISTICS

DBS version: complete with driver and Casambi control system (Casambi Ready).

**Fixture Power:** 30W

**Power supply:** 110-240Vac 50/60Hz

**Insulation Class:** CLASS 1

**Type of driver / Control:** CASAMBI

**Driver included:** YES

**Class F:** YES

**Ambient temperature:** 0°C / +25°C

#### INSTALLATION

DBS version: complete with base for surface mounting.

#### NOTES

Commissioning of the control system via free APP; the intervention of a specialist technician can be quoted on request.

#### WARRANTY

5 years.

Due to the technological evolution of the electronic components, the data provided may be updated, and as such, confirmation must be requested during the order process.

Luminous flux and power supply have +/-10% tolerances with respect to the indicated value. tq +25°C (CIE 121).

We reserve the right to make technical changes.

Targetti Sankey S.r.l.  
Via Pratese, 164  
50145 Firenze - Italy  
Tel: +39 055 37911  
targetti.com  
targetti@targetti.com

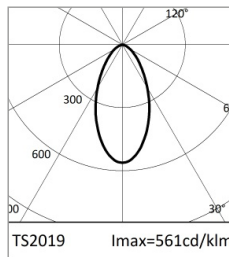
CCIAA Firenze  
Share Capital:  
€ 500.000,00  
VAT N. (IT):  
01537660480  
R.E.A: FI-275656

**TARGETTI**

**T045DBS930FW | CORO 120**  
**Professional adjustable LED projector for wall or cornice installation with a variable light beam opening**



	3000K	H(m)	D(m)	Emax(lx)		
	Ra90		18°			
Fixture Power	30W	1	0.32	13577		
Source Flux	3027lm	2	0.64	3394		
Fixture Flux	1957lm	3	0.97	1509		
Efficacy	65lm/W	4	1.29	849		
TS2018	Imax=4485cd/klm	Imax	13577cd	5	1.61	543



	3000K	H(m)	D(m)	Emax(lx)		
	Ra90		53°			
Fixture Power	30W	1	1.00	1697		
Source Flux	3027lm	2	1.99	424		
Fixture Flux	1821lm	3	2.99	189		
Efficacy	61lm/W	4	3.99	106		
TS2019	Imax=561cd/klm	Imax	1697cd	5	4.99	68

**SP**

Fixture flux 1957lm  
 Luminous efficacy 65lm/W  
 Optical efficiency 65%

**WFL**

Fixture flux 1821lm  
 Luminous efficacy 61lm/W  
 Optical efficiency 60%

Due to the technological evolution of the electronic components, the data provided may be updated, and as such, confirmation must be requested during the order process. Luminous flux and power supply have +/-10% tolerances with respect to the indicated value. tq +25°C (CIE 121).

Targetti Sankey S.r.l.  
 Via Pratese, 164  
 50145 Firenze - Italy  
 Tel: +39 055 37911  
 targetti.com  
 targetti@targetti.com

CCIAA Firenze  
 Share Capital:  
 € 500.000,00  
 VAT N. (IT):  
 01537660480  
 R.E.A.: FI-275656



We reserve the right to make technical changes.

**T045DBS930FW | CORO 120****Professional adjustable LED projector for wall or cornice installation with a variable light beam opening****Accessories****Emergency Kit**

Code

**A059**

Emergency kit composed of an inverter a LiFePO4 battery and a LED Green indicator.  
Allows permanent EP emergency use of the fixture it is connected to.

The 1h or 3h autonomy can be selected by configuring the fixture.

The batteries take 12h to completely recharge.

LED Green indicator wired to the inverter through single-core cables L= 800mm.

Emergency kit for fixtures that comply with EN 60598-2-22 standard, high risk areas excluded.

Battery size 160x54x30 mm.

Inverter size 165x40x25 mm.

*Due to the technological evolution of the electronic components, the data provided may be updated, and as such, confirmation must be requested during the order process.*

*Luminous flux and power supply have +/-10% tolerances with respect to the indicated value. tq +25°C (CIE 121).*

*We reserve the right to make technical changes.*

Targetti Sankey S.r.l.  
Via Pratese, 164  
50145 Firenze - Italy  
Tel: +39 055 37911  
targetti.com  
targetti@targetti.com

CCIAA Firenze  
Share Capital:  
€ 500.000,00  
VAT N. (IT):  
01537660480  
R.E.A: FI-275656

**TARGETTI**